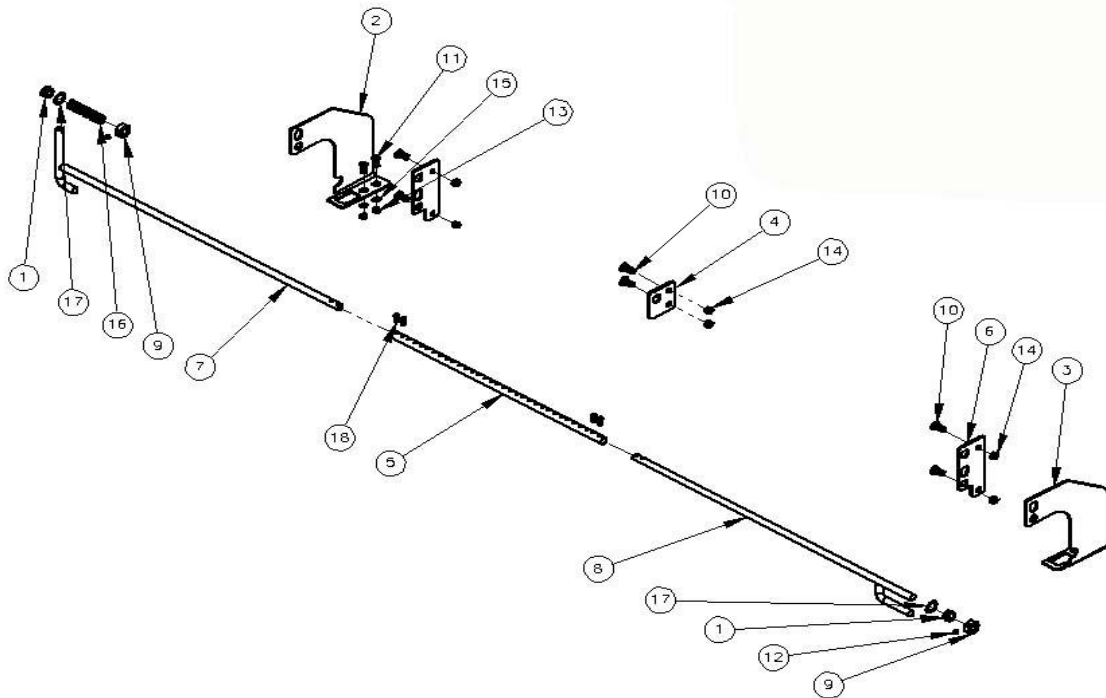


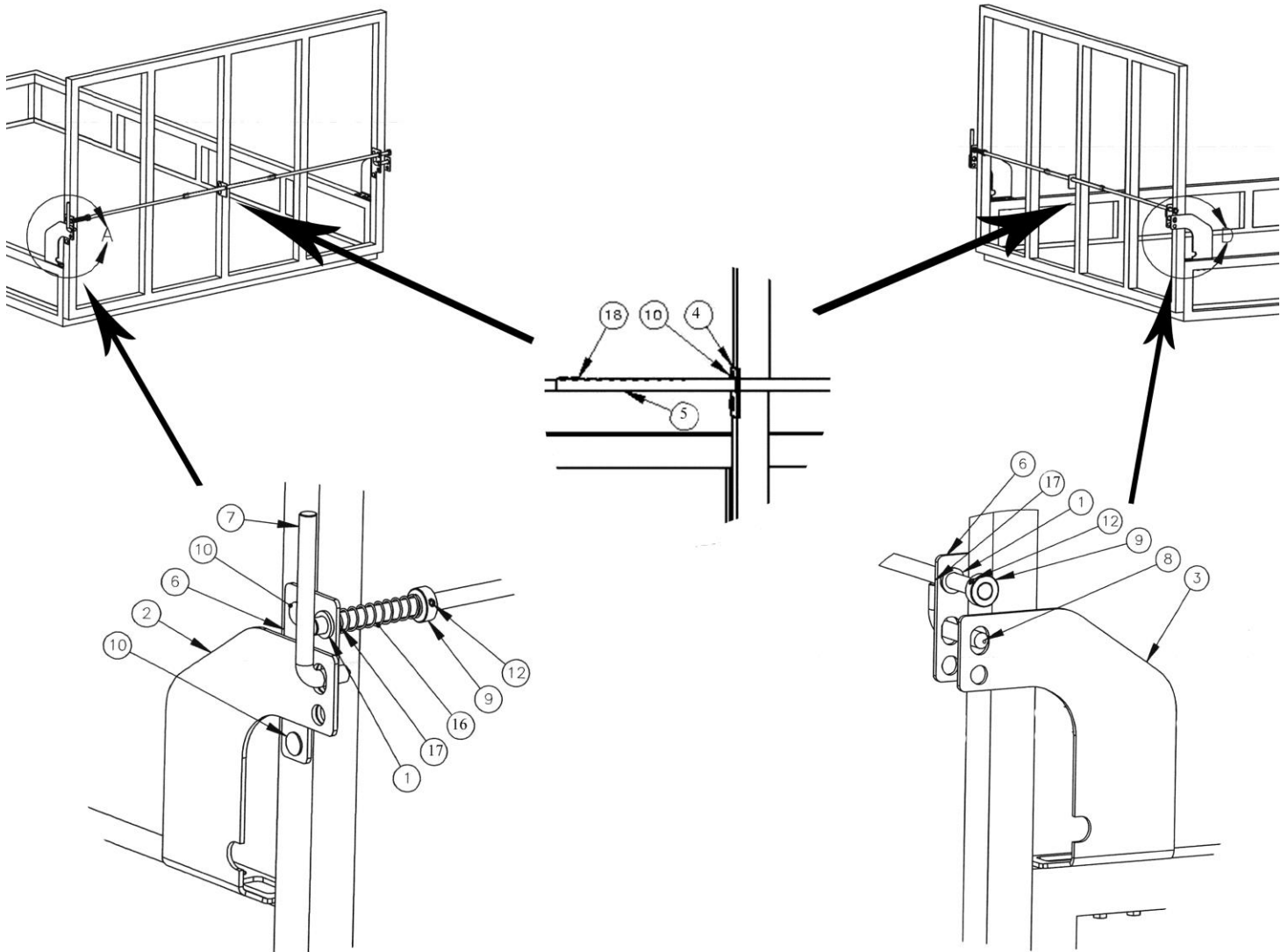


RAPID LATCH ASSEMBLY INSTRUCTIONS

HARDWARE

ITEM #	QTY	PART #	DESCRIPTION
1	2	RL-BUSH	5/8" Flange bushing
2	1	RL-SP1	Striker Plate
3	1	MirrorRL- SP1	Striker Plate Mirror
4	1	RL-MB	Mid Bracket
5	1	RL-AB2	Adjustment Tube
6	2	RL-SGB	Side Guide Bar
7	1	RL-HRW	Handle Rod Weldment
8	1	RL-LPRW	Latch Pin Rod Weldment
9	2	RL-COL	5/8" Shaft Collar
10	6	108	3/8" – 16 x 1 Carriage Bolt
11	4	221	5/16"-18 x 1 Flat Head Socket Screw
12	2	223	5/16" – 18 x 1/4" Socket Set Screw
13	4	304	5/16" – 18 Lock Nut
14	6	307	3/8" – 16 Hex Flange Nut
15	4	413	5/16" Washer
16	1	503	3/4" x 3 1/2" Compression Spring
17	2	602	7/8" Self-Locking Retaining Ring
18	4	249	1/4" – 20 x .75" 100° Flat Head LG





ASSEMBLY

Step 1

If the trailer tailgate closes to the inside of the rails, mount striker plate # 2 (RL-SP1) on the right (passenger) side of the trailer and the striker plate mirror, # 3, (MirrorRL-SP1) on the left (driver) side. If the tailgate closes on the outside of the rails, then the striker plate will be mounted on the left (driver) side and striker plate mirror on the right (passenger) side.

Step 2

Close the tailgate and secure in the vertical position. Position the striker plate on the left (driver) side rail. Align back edge of striker plate with the back edge of the trailer rail. There should be approximately $\frac{1}{4}$ " clearance between the side of the striker plate and side of tailgate when gate is closed.

Step 3

Mark the location of the two holes in the striker plate on the trailer rail and drill 5/16" holes through the rail. Secure the striker plate to the trailer rail using two socket screws # 11 (221), two washers # 16 (413) and two lock nuts # 14 (304). Repeat to mount the striker plate on the right (passenger) side of the trailer.

Step 4

With the tailgate closed, position the side guide bar # 6 (RL-SGB) on the outside left edge of the tailgate. Adjust the height of the side guide bar so that the two holes below the bushing # 1 (RL-BUSH) align with the two holes in the striker plate. Make sure the holes in the bracket will not interfere with any cross supports on the tailgate, then mark and drill two 3/8" holes in the tailgate rail. Attach using two carriage bolts # 10 (108) and two hex flange nuts # 15 (307). Repeat for the other side guide bar # 6 (RL-SGB).

Step 5

NOTE: The handle rod can be installed on either side of the trailer.

Slide the handle rod # 7 (RL-HRW) through the bushing on the side guide bar. Slide one retaining ring # 18 (602) followed by the compression spring # 17 (503) and one shaft collar # 9 (RL-COL) onto the rod.

Step 6

Slide one retaining ring # 18 (602) onto the end of the latch pin rod # 8 (RL-LPRW) and insert through the bushing on the side guide bar # 6 (RL-SGB) and slide one shaft collar # 9 (RL-COL) onto the end, insert one socket set screw # 12 (223) into the opening of the shaft collar and hand tighten.

Step 7

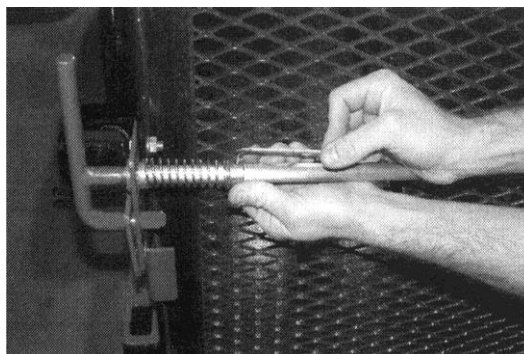
Position mid bracket # 4 (RL-MB) so that it is flat against the center gate support rail and aligned with both left and right side rods, then mark and drill two 3/8" holes in the center gate support. Secure using two carriage bolts # 10 (108) and two flange nuts # 15 (307).

Step 8

Insert the adjustment tube # 5 (RL-AB2) into the mid bracket # 4 (RL-MB) and secure the adjustment tube to the handle rod and latch pin rod with four flat heads # 18 (249).

Step 9

With the rod assembly in the closed position, slide the spring and collar on the handle rod against the gate bracket. Slide the collar 3/4" further to add tension and secure the collar using one socket set screw # 12 (223). There should be enough tension in the spring to cause the rod to return to the closed position once the handle is released.



Locking

The tailgate can be locked by installing a pad lock through the striker plate and side bracket on either side.

Note about removable tailgates: Some tailgates are designed to be easily removable by sliding them off the hinge. If your tailgate is removable, it may be necessary to install a bolt through the trailer frame to prevent tailgate from sliding side to side. If tailgate slides from side to side, it may prevent the Rapid Latch from working properly.

LIMITED WARRANTY

Seller (Jungle Jim's Accessory Products, Inc.) warrants that the Rapid Latch product (device) will comply with applicable laws governing the operation of such a device. Seller further warrants that the device will be free from defects in material and workmanship for a period of one year from the date that the device is purchased. During the stated warranty period, seller will issue replacement parts for any part that is found to be defective. Seller shall not be required to replace any part if the device has been abused or not operated in accordance with the printed instructions which were provided with the device. After the initial warranty period, seller shall have no obligations or liability to the purchaser. The warranties provided hereunder shall not apply if the device has been subject to accident, negligence, alteration (including signs of welding) abuse or misuse. Seller makes no warranty whatsoever with respect to accessories or parts not supplied by it. Further, this warranty shall apply only to the original purchaser. Original purchaser shall mean that person or entity who first acquired the device. Seller does not warrant this device to meet the requirements of any safety code of any state, municipality or other jurisdiction. Purchaser assumes all risk and liability whatsoever resulting from the use thereof whether used singly or in combination with other machines or apparatus. Further, seller is not liable for replacement of equipment secured using the device. Purchaser is responsible for ensuring that all hardware is checked periodically for security of said equipment. THIS WARRANTY IS EXPRESSLY MADE IN LIEU OF THE WARRANTIES OF MERCHANTABILITY AND FITNESS FOR USE AND ANY OTHER WARRANTIES EXPRESSED OR IMPLIED. THE SOLE LIABILITY OF THE WARRANTY SHALL BE THE REPLACEMENT OF PARTS REQUIRED TO MAINTAIN THE DEVICE IN PROPER WORKING ORDER. THE SELLER SHALL NOT BE HELD LIABLE FOR ANY DELAYS CAUSED BY CIRCUMSTANCES BEYOND ITS CONTROL OR BY DAMAGES CAUSED BY THE OPERATION OF THE DEVICE IN ANY MANNER NOT IN ACCORDANCE WITH THE PRINTED INSTRUCTIONS PROVIDED WITH THE DEVICE.

One year limited warranty is dependent upon the return of the registration form.

Detach & mail the registration within 30 days of purchase with a copy of the original receipt showing date of purchase.

Mail to:

Jungle Jim's Accessory Products, Inc., 550 O'Byrne Avenue, Louisville, KY 40223

Or fax to: 502-254-3677

WARRANTY REGISTRATION – RAPID LATCH

COMPANY		
LAST NAME		FIRST
ADDRESS		
CITY	STATE	ZIP
PHONE		
PLACE OF PURCHASE		
CITY	STATE	ZIP
COMMENTS/SUGGESTIONS:		