

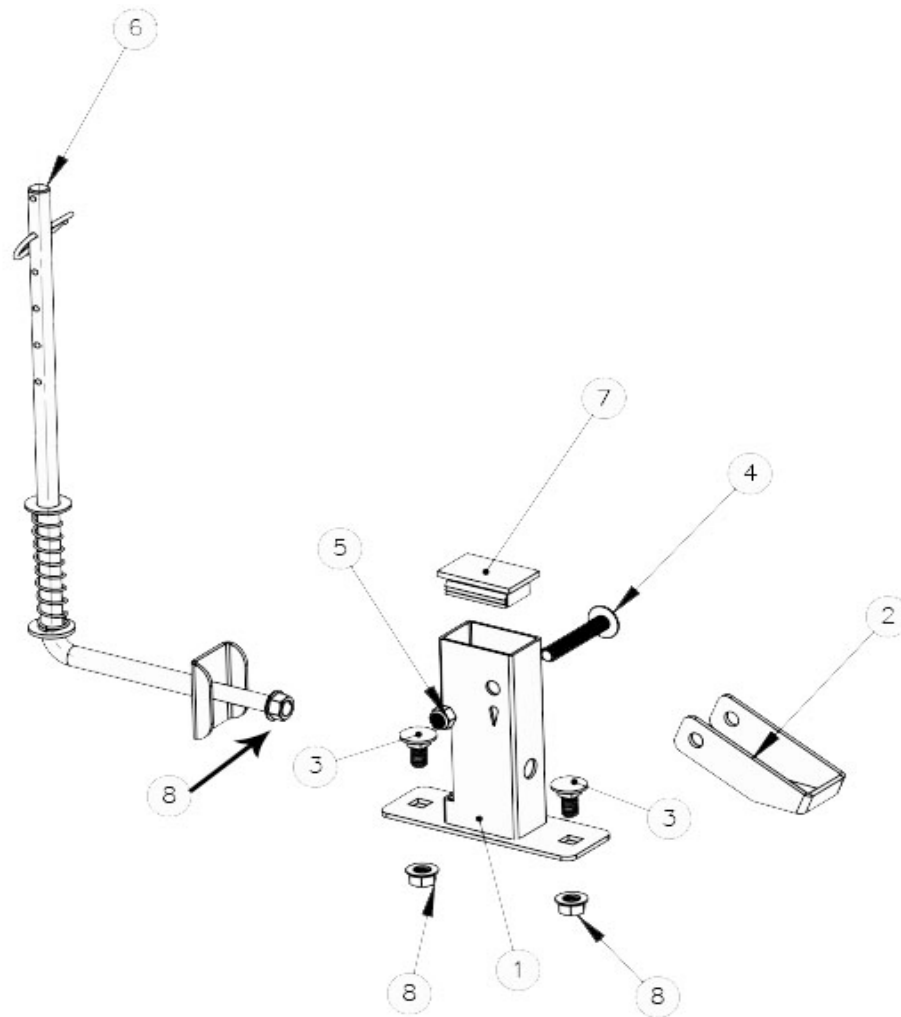


# SPOOL MATE LITE ASSEMBLY INSTRUCTIONS

# HARDWARE

ITEM #	QUANTITY	PART #	DESCRIPTION
1	1	SML-Weldment	Spool Mate Lite Weldment
2	1	SLH HANDLE	Spool Mate Cutting Handle
3	2	104	3/8" – 16 x 3/4" Carriage Bolt
4	1	251	3/8" – 16 x 2 1/4" Button head
5	1	305	3/8" Nylon Lock Nut
6	1	ATR-SLB	Spool Line Bar Assembly
7	1	739	1 1/4" x 2" Cap
8	2	307	3/8" – 16 Hex Flange Nut

TOOLS REQUIRED: Drill with 10 mm chuck, 10mm drill bit, 9/16" or equivalent wrench.



# ASSEMBLY

## **Step 1**

Snap 2" Cap #7 (739) into Spool Mate Lite Weldment #1 (SLH-001).

## **Step 2**

Attach Cutting Handle #2 (SLH-001 Handle) to Weldment using Button head socket cap screw # 4 (251) and Lock nut # 5 (305). Tighten but allow enough play for handle to move up and down with ease.

## **Step 3**

Determine desired location on trailer rail, then mark and drill two 10mm holes. Attach weldment to trailer using two carriage bolts #3 (104) and two flange nuts #8 (307).

## **Step 4**

Attach Spool Line bar #6 (ATR-SLB) using the flange nut attached to the bar. Please note that all hardware needed for the ATR-SLB is included in the poly bag.

## **Step 5**

After mounting the ATR-SLB, remove the cotter pin, washers & spring. Do not remove bottom washer. Place your spool of trimmer line (not included) on the ATR-SLB followed by one washer, compression spring, and the other flat washer. Compress the spring down onto the spool and retain it by installing the provided cotter pin through one of the five holes in the spool holder bar as shown in the parts diagram. Make sure the spring is compressed enough against the spool to prevent it from spinning freely on the spool holder.

## **Step 6**

Run the trimmer line from the spool through the trimmer line hole on the back (spool line is on left) of the Spool Mate Lite. The trimmer line can then be dispensed through that hole, cut and secured for next use.

## LIMITED WARRANTY

Seller (Jungle Jim's Accessory Products, Inc.) warrants that the Rapid Latch product (device) will comply with applicable laws governing the operation of such a device. Seller further warrants that the device will be free from defects in material and workmanship for a period of one year from the date that the device is purchased. During the stated warranty period, seller will issue replacement parts for any part that is found to be defective. Seller shall not be required to replace any part if the device has been abused or not operated in accordance with the printed instructions which were provided with the device. After the initial warranty period, seller shall have no obligations or liability to the purchaser. The warranties provided hereunder shall not apply if the device has been subject to accident, negligence, alteration (including signs of welding) abuse or misuse. Seller makes no warranty whatsoever with respect to accessories or parts not supplied by it. Further, this warranty shall apply only to the original purchaser. Original purchaser shall mean that person or entity who first acquired the device. Seller does not warrant this device to meet the requirements of any safety code of any state, municipality or other jurisdiction. Purchaser assumes all risk and liability whatsoever resulting from the use thereof whether used singly or in combination with other machines or apparatus. Further, seller is not liable for replacement of equipment secured using the device. Purchaser is responsible for ensuring that all hardware is checked periodically for security of said equipment. THIS WARRANTY IS EXPRESSLY MADE IN LIEU OF THE WARRANTIES OF MERCHANTABILITY AND FITNESS FOR USE AND ANY OTHER WARRANTIES EXPRESSED OR IMPLIED. THE SOLE LIABILITY OF THE WARRANTY SHALL BE THE REPLACEMENT OF PARTS REQUIRED TO MAINTAIN THE DEVICE IN PROPER WORKING ORDER. THE SELLER SHALL NOT BE HELD LIABLE FOR ANY DELAYS CAUSED BY CIRCUMSTANCES BEYOND ITS CONTROL OR BY DAMAGES CAUSED BY THE OPERATION OF THE DEVICE IN ANY MANNER NOT IN ACCORDANCE WITH THE PRINTED INSTRUCTIONS PROVIDED WITH THE DEVICE.

**One year limited warranty is dependent upon the return of the registration form.**

**Detach & mail the registration within 30 days of purchase with a copy of the original receipt showing date of purchase.**

**Registration warranty is not valid without a copy of the original receipt.**

Mail to:

Jungle Jim's Accessory Products, Inc., 550 O'Byrne Avenue, Louisville, KY 40223

Or fax to: 502-254-3677

# WARRANTY REGISTRATION – SPOOL MATE LITE

COMPANY		
LAST NAME		FIRST
ADDRESS		
CITY	STATE	ZIP
PHONE		
PLACE OF PURCHASE		
CITY	STATE	ZIP
COMMENTS/SUGGESTIONS:		